



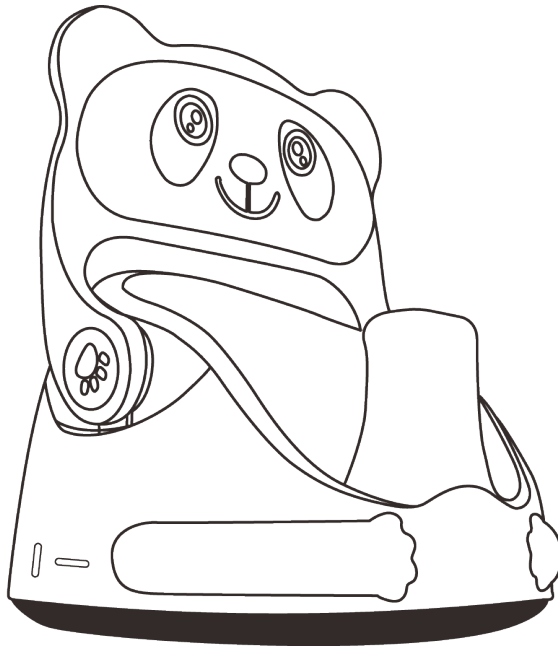
## IMPORTANT KEEP FOR FUTURE REFERENCE

Read these instructions carefully before use and keep them for future reference.

Your child's safety may be affected if you do not follow these instructions.

### Instruction Leaflet

### Panda Booster 2 in 1 Booster and Floor Seat



This product is intended for children able to sit unaided (minimum 6 months) and up to 36 months or a maximum weight of 15 kg.

Complies with BSEN 16120 + A2 : 2012 : 2016

Customer Care Line: 01454 326 568

Fig 1

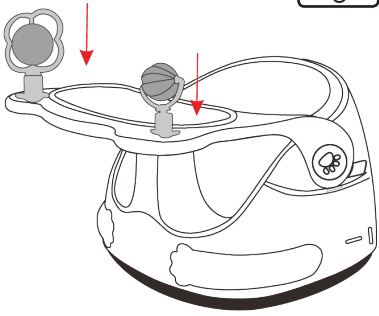


Fig 2

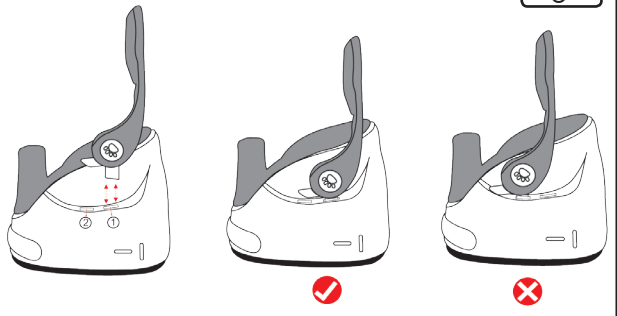


Fig 3

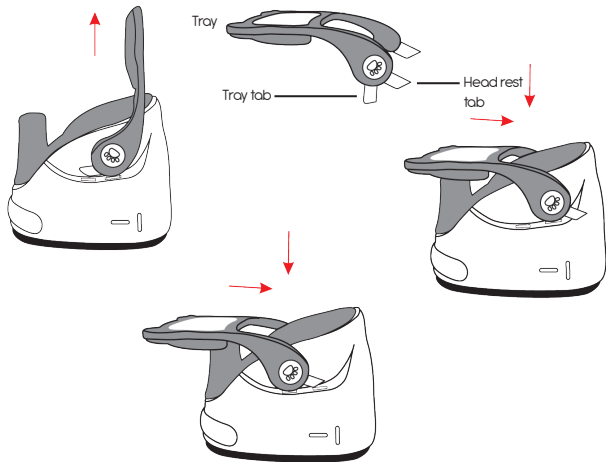
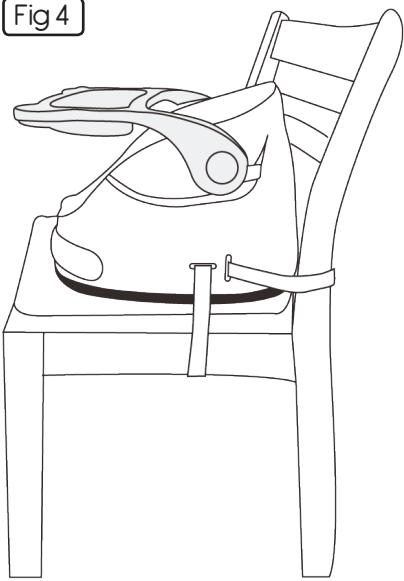


Fig 4



### Minimum chair dimensions

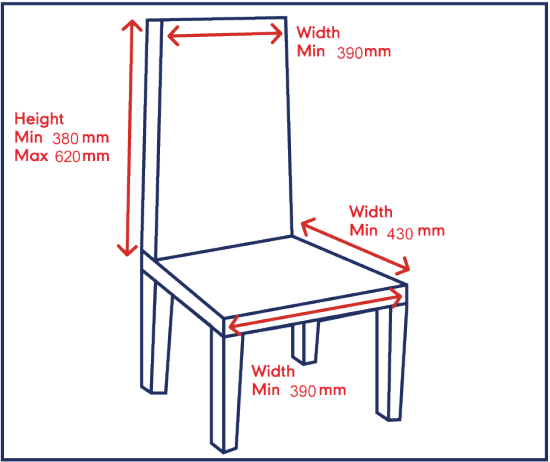


Fig 5a

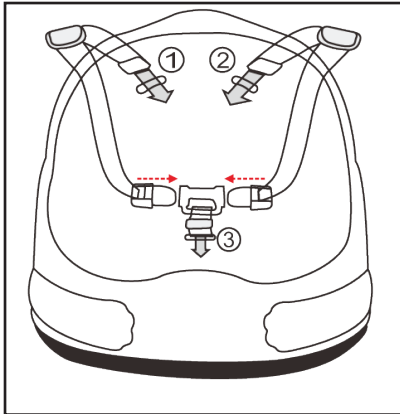
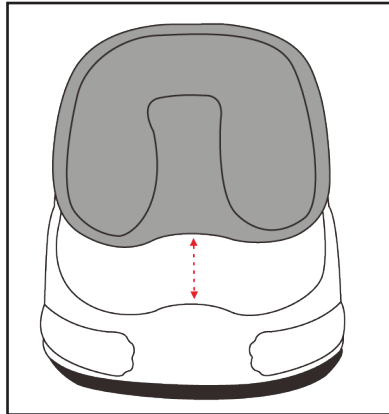


Fig 5b



## Instructions for use

### To assemble the toys

Insert the toys in to the corresponding holes in the tray. Fig 1.

### To assemble and use the tray

To use the tray as a head rest, insert the head rest tab into slot 1 on the back of the tray and push down. Do not use slot 2 for the head rest. Fig 2.

To use as a tray, insert the tab on the bottom of the tray in to either slot 1 or slot 2 on the booster and push down. Fig 3.

### To attach the booster to a dining chair

Position the booster on a suitable chair, wrap the anchor strap underneath the chair and fasten the buckles together. Tighten the securing strap by pulling on the free end to remove any slack. Repeat this procedure for the back anchor strap. Fig 4.

### To secure and adjust the harness

To secure your child in the harness, push the buckle prongs on the ends of the shoulder straps (1) + (2) in to the buckle housing on the crotch strap (3) until they snap in position. Fig 5a.

**IMPORTANT!** Always use the harness.

### Seat Pad Removal (For older children)

For older children, the rubber insert can be removed. Thread the harness straps through the harness slots and pull the insert out. Fig 5a + 5b.

### Drawer Storage

The anchor straps can be removed from the chair and stored in the drawer on the back of the booster if needed.

## General care:

- The correct use and maintenance of this booster seat is essential.
- Always ensure the booster seat is stored in a dry place to prevent mould or mildew developing.
- Avoid leaving your booster seat in direct sunlight for prolonged periods of time as this may cause premature fading of colours.
- Position the adult chair with the chair mounted seat placed in a position where the child is not able to use its feet to push against the table or any other structure as this can cause the adult chair supporting the chair mounted seat to tip over.
- Never use the tray to lift the booster seat. The tray has been designed with a soft lock safety feature so that it will detach if lifted.

## Cleaning:

- Clean the harness with a mild soap and water solution. Rinse and wipe dry.
- Clean plastic parts with a mild soap and water solution. Rinse and wipe dry.
- Do not use abrasive cleaners or bleach.
- The tray is not removable or dishwasher safe.

## Maintenance:

- Check that nothing is broken, torn or missing and that no sharp edges have been exposed. Stop using the booster seat immediately if any are found.
- Check that all straps and harness attachment points are in good working order. Always use the restraint system and the chair attachment system.
- Always check the security and the stability of the chair mounted seat before use.
- Do not use replacement parts other than those approved by the manufacturer or distributor. Failure to do this may invalidate your warranty.

## Safety Warnings:

- **WARNING:** Your child's safety is your responsibility.
- **WARNING:** Never leave the child unattended.
- This product is intended for children able to sit unaided (minimum 6 months) and up to 36 months or a maximum weight of 15 kg.
- Do not use until your baby can support their own head.
- Do not place the seat near strong heat sources or in direct strong sunlight.
- Do not place or position the seat near any item which could present a danger of suffocation, strangulation, e.g. strings, blind/curtain cords, etc or falling objects.
- Ensure that the adult chair with the chair mounted seat is placed in a position where the child is not able to use its feet to push against the table or any other structure as this can cause the tip over of the adult chair supporting the booster seat.
- Never carry the booster seat when the child is in it.
- Always use the restraint system and ensure it is correctly fitted.
- Always check the security and the stability of the product on the adult chair before use.
- Prevent falls, Never use on any uneven or elevated surfaces e.g. tables or counter tops.
- Always use the chair attachment system and ensure it is correctly fitted before use.
- Prevent serious injury or death. Do not use in a motor vehicle.
- Do not use in water or as a bath seat.
- Do not use this product on stools or benches.
- When used as a floor seat remove the bottom and back attachment straps and store out of reach of children.
- The foam insert can be removed to make extra room as baby grows. Never use the foam insert as a stand alone product. Only use when attached the plastic base.

Complies with BS EN 16120 : 2012 +A2 : 2016

For all technical queries please call:  
01454 326 568

Imported by:  
The Red Kite Baby Co Ltd  
35 Lavenham Road  
Beeches Industrial Estate  
Yate  
Bristol  
BS37 5QX.

**RedKite<sup>®</sup>**