

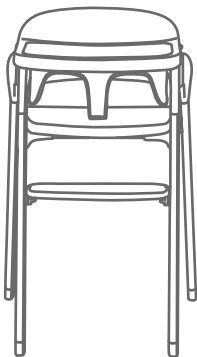
red kite

IMPORTANT KEEP FOR FUTURE REFERENCE

Read these instructions carefully before use and keep them for future reference. Your child's safety may be affected if you do not follow these instructions.

Instruction leaflet

Feed Me Klic



Highchair mode

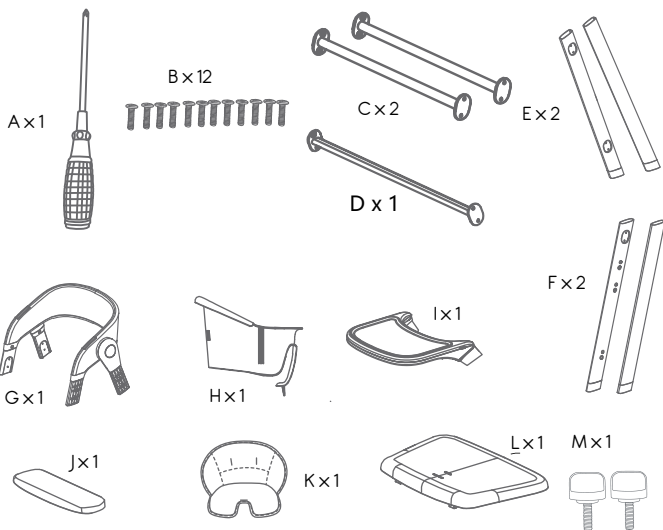


Seat mode

BSEN 14988:2017+A1:2020, BSEN 17191:2021 & BSEN 12520:2015

Customer Care Line: 01454 326 568

Parts List:



- A. Screwdriver for assembly
- B. Assembly fixings (12 x screws)
- C. 2 x top support tubes (1 long and 1 short)
- D. 1 x rear bottom support tube
- E. 2 x front legs
- F. 2 x rear legs
- G. Backrest
- H. Seat bucket
- I. Tray
- J. Footrest
- K. Seat pad and harness
- L. Seat plate support
- M. 2 x footrest fixings

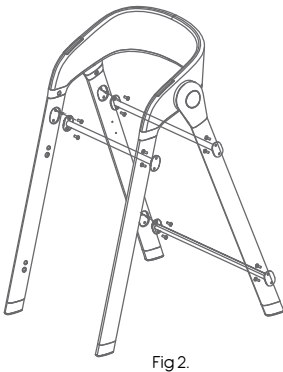
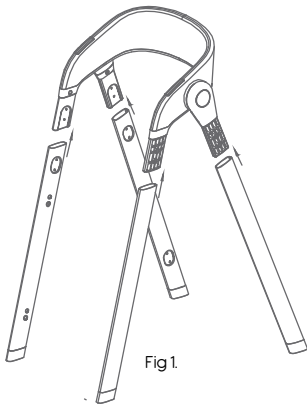
To assemble the legs

1. Connect the rear legs (these have brackets attached to hang the tray on) on to the seat bucket rear fixings and secure in place with 2 screws. Repeat for the front legs.

NOTE. Ensure the holes on the legs are facing inwards and the foot sits flat on the ground.

2. Connect the rear bottom support tube to the bottom of the rear legs with 4 screws. Connect the top support tubes to the tops of the legs using the screws ensuring the shorter tube is at the front.

NOTE. The ends of the support tubes are angled and only fit one way between each of the legs. The shorter of the 2 supports is for the front legs.



Seat installation

3. Line up the catches on the bottom of the seat plate with the two top supports by passing the plate through the back of the highchair just above the supports and press firmly down until they click in place. Clip the seat bucket on to the backrest and insert the front clip of the seat bucket into the slot on the front of the seat plate. Ensure it is secure by gently pulling upwards.

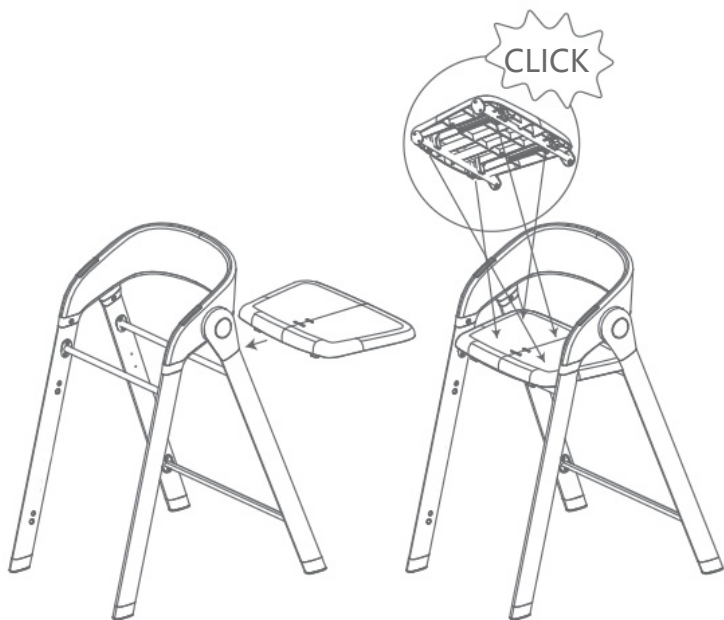


Fig 3.

Footrest and tray installation

4. Push the tray into the spring-loaded recess to attach the tray.

Attach the footrest to the top of the front legs with the two threaded footrest fittings.

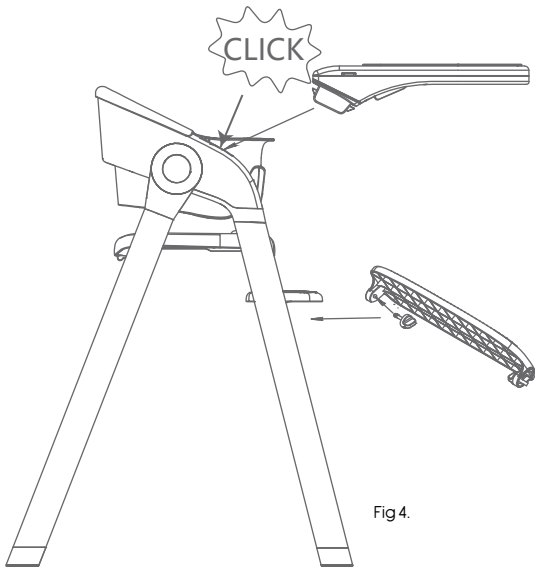


Fig 4.

Tray adjustment

5. Press the buttons on the sides of the tray to move it forwards or backwards.

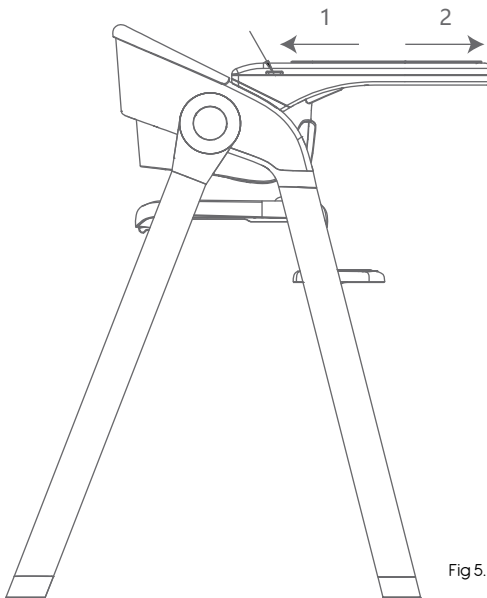


Fig 5.

Tray removal

6. Press the buttons on the bottom of the tray and lift upwards to remove it.

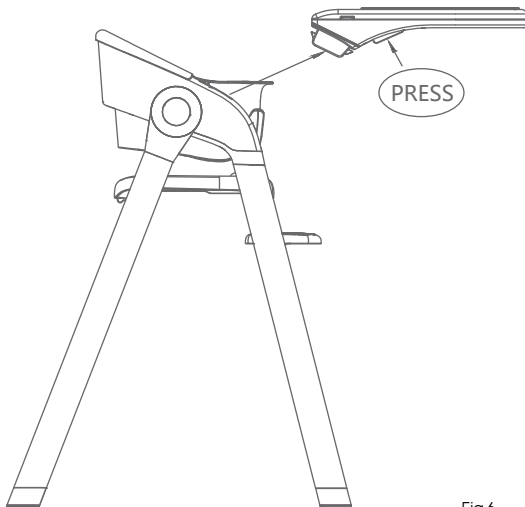


Fig 6.

To fold the highchair

7. Press in both buttons located on the bottom rear of the seat plate and slide the rear legs towards the front legs to fold it.

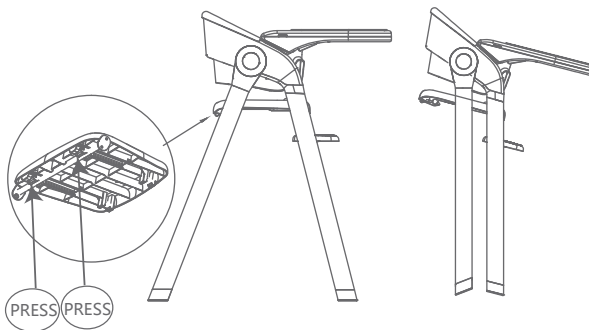


Fig7.

To secure and adjust the harness

8. To open the harness, press the centre button (A). Place the child in the seat and put their arms through the shoulder and waist harness (B) and push the buckles back into the centre buckle to secure the child. Adjust the sliders (C) to achieve a snug and comfortable fit.

IMPORTANT! Always use the restraint system.

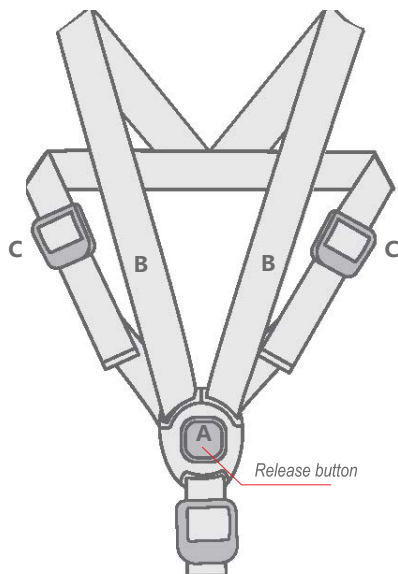


Fig 8.

To convert to Chairmode (Seat removal)

9. Push the tab on the bottom front of the seat forwards and upwards to unclip the front. Continue to lift upwards so that the back of the seat unclips to completely remove it.

Remove the footrest from the top of the legs and reattach it to the holes on the bottom of the legs.

Remove the harness to complete this mode.

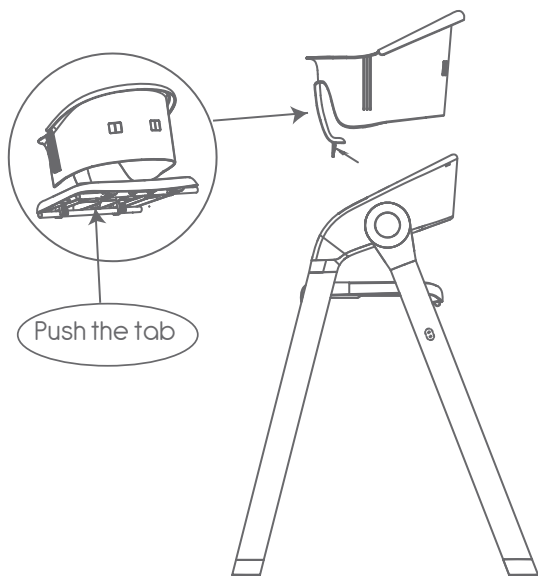


Fig 9

Care Advice:

- The correct use and maintenance of this product is essential.
- Always ensure the product is stored in a dry place to prevent mould or mildew developing.
- Avoid leaving your product in direct sunlight for prolonged periods of time as this may cause premature fading of colours.

Cleaning:

- Metal parts may be cleaned with a damp cloth and wiped dry with a soft cloth.
- Clean the harness with a mild detergent solution. Rinse and wipe dry.
- Clean plastic parts with a mild detergent solution. Rinse and wipe dry.
- The seat cover should be cleaned with a mild detergent solution. Do not submerge in water. Rinse and wipe dry.
- Do not use abrasive cleaners or bleach.

Maintenance:

- Check that nothing is broken, torn or missing and that no sharp edges have been exposed.
- Stop using the highchair immediately if any are found.
- Inspect all studs, nuts and screws for tightness. Check that all straps and harness attachment points are in good working order.
- Do not use replacement parts other than those approved by Red Kite. Failure to do this may invalidate your warranty.

Highchair Mode Safety Information

- KEEP AWAY FROM FIRE!
- WARNING: Your child's safety is your responsibility.
- WARNING: Do not leave the child unattended.
- WARNING: Do not use the highchair unless all components are correctly fitted and adjusted.
- WARNING: Be aware of the risk of open fire and other sources of strong heat, such as electric bar fires, gas fires etc. in the vicinity of the highchair. Never place the highchair
- near these items.
- Falling hazard: Prevent your child from climbing on the product.
- Be aware of the risk of tilting when your child can push its feet against a table or any other structure.
- Keep children away when unfolding and folding the product to avoid injury.
- Do not use for a child weighing more than 15 kgs.
- Only suitable for children who can sit unaided.
- Always use the 5 point harness provided. Ensure that it is correctly fitted and adjusted before each use.
- Adult assembly required. Always ensure that the highchair has been correctly assembled and that all locking devices have engaged before placing your child in the highchair.
- Ensure that all parts of your child's body are clear of the highchair when assembling, folding or making adjustments.
- Do not allow other children to play with this highchair. It is not a toy. Store safely out of reach when not in use.
- Never carry the highchair when the child is in it.
- Please lift your child in and out of the highchair. Do not allow children to stand on the footrest (where provided) and seat or to climb in and out of the high chair.
- Only use the highchair on a level floor surface.
- Never add accessories or fittings that have not been approved by Red Kite.
- BS EN 14988:2017+A1:2020

Seat Mode Safety Information

- Please remove the safety harness in Seat mode.
- The Seat is not suitable for a baby below 3 years old.
- Suitable for children from 3 years until adult (Max weight 110 kg)
- The Stool may be used for children and adults. Please note that no support is offered in this mode so a child must be ready to use the product.
- KEEP AWAY FROM FIRE!
- DO NOT place this product near a window as it can be used as a step by the child and cause the child to fall out of the window.
- Be aware of the risk of open fires and other sources of strong heat in the vicinity of the product.
- DO NOT place this product near a window where cords from blinds or curtains could strangle a child.
- All assembly fittings should always be tightened properly.
- Do not use the seating if any part is broken, torn or missing and use only spare parts approved by Red Kite.
- BSEN 12520:2015

For all technical queries please call: 01454 326 568

Manufactured by: The Red Kite Baby Co Ltd, 35 Lavenham Road, Beeches Industrial Estate, Yate, Bristol, BS37 5QX. UK.