

red kite

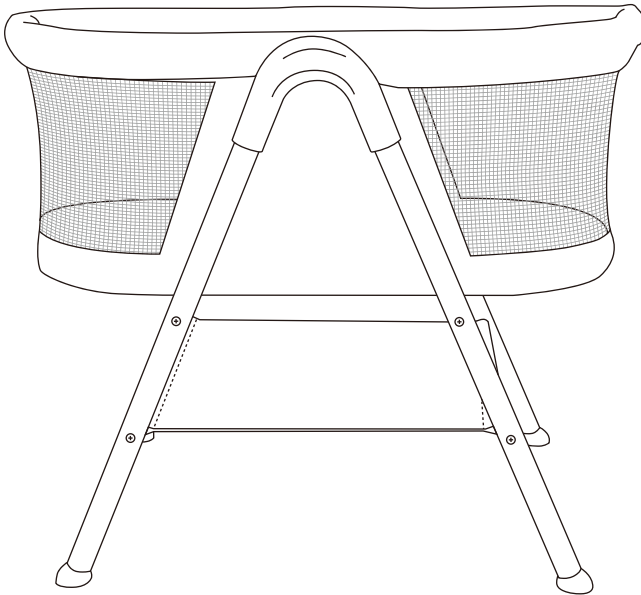
IMPORTANT! READ CAREFULLY AND
KEEP FOR FUTURE REFERENCE.

Read the instructions carefully before use and keep them for future reference. The child may be hurt if you do not follow the instructions.

Adult assembly required.

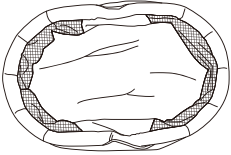
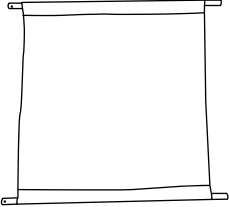
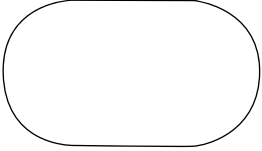
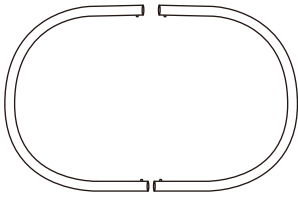
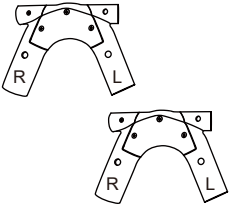
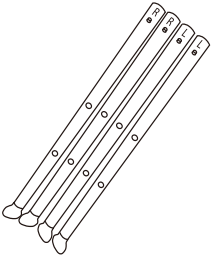
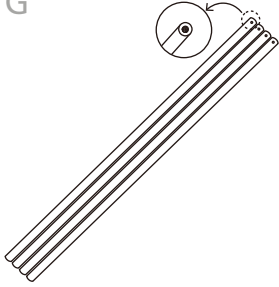
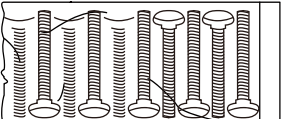

Instruction leaflet

Snooze Crib



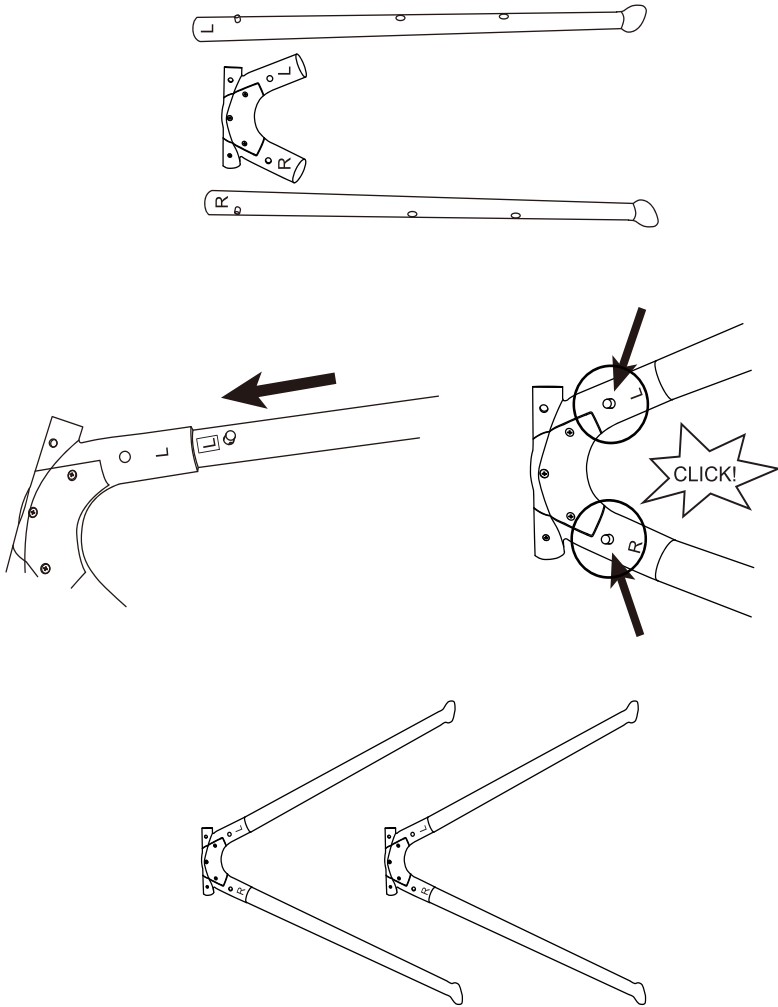
Suitable from birth up to 6 months, approximately 9kg.
BS EN 1130 : 2019. Customer Care Line: 01454 326 568.

Parts List

<p>A</p>  <p>Crib body x1</p>	<p>B</p>  <p>Storage shelf x1</p>	<p>C</p>  <p>Mattress x1</p>
<p>D</p>  <p>Crib support tube x2</p>	<p>E</p>  <p>Frame joint x2</p>	<p>F</p>  <p>Left leg x2 Right leg x2</p>
<p>G</p>  <p>Frame support tube x4</p>	<p>H</p>  <p>Screws x10 (2 Spare)</p>	<p>I</p>  <p>Phillips-head screwdriver</p> <p>not included</p>

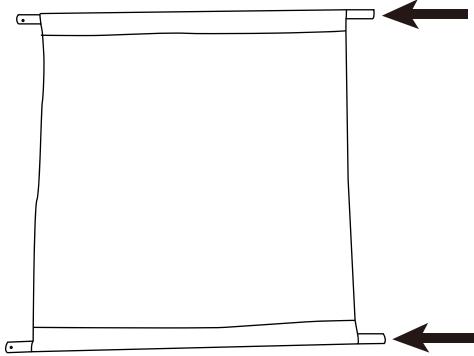
Assembly

1. Attach one left leg (F) and one right leg (F) to each frame joint (E). Ensure the L and R labels are matching. Push in leg push pin and insert leg into joint until push pin pops out of corresponding joint hole. The leg is secure when you hear the "click" sound.

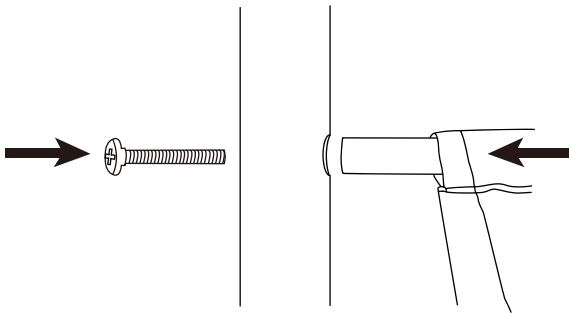


Assembly

2. Slide two frame support tubes (G) through the two sides of the fabric storage shelf (B).

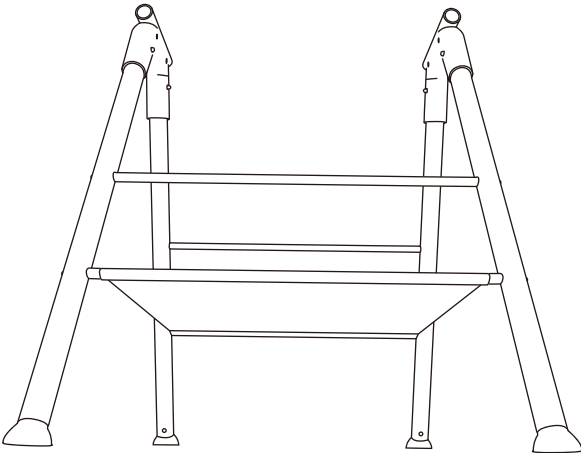
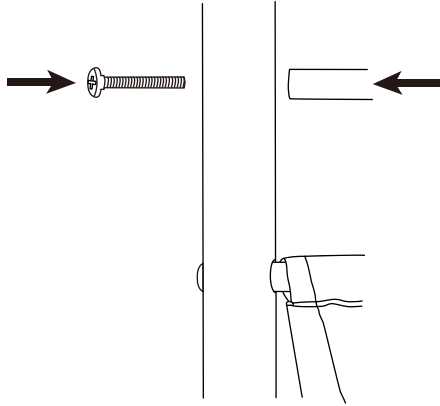


3. Fit the storage shelf to the legs. Slide the support tubes into the bottom leg holes. Insert screw (H) through the leg from the outside and tighten with screwdriver (I) until secure. Repeat for all legs.



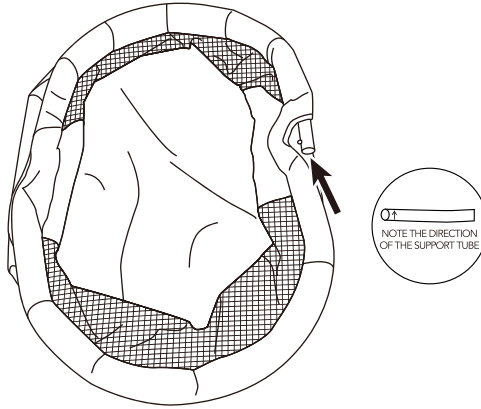
Assembly

4. Secure the frame with the two remaining frame support tubes. Slide the frame support tube (G) through the top leg hole. Insert screw (H) through the leg from the outside and tighten with screwdriver (I) until secure. Repeat for all legs.

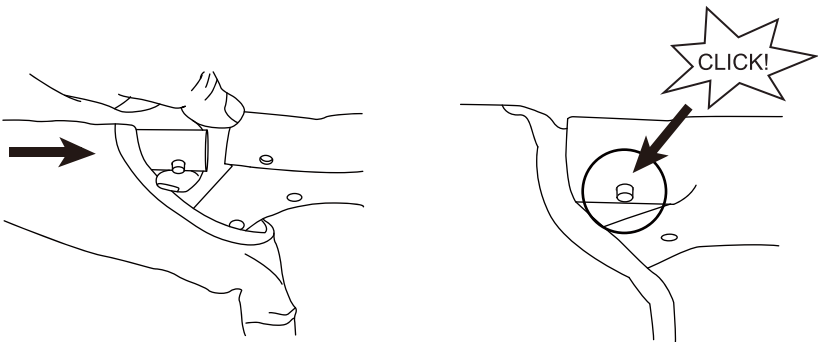


Assembly

5. Slide one crib support tube (D) all the way through the non-zipper side of the crib body (A).

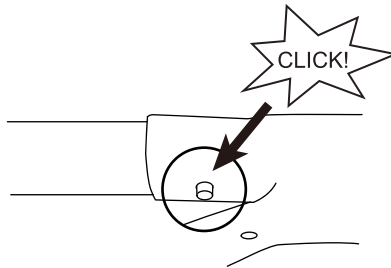
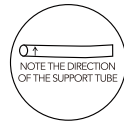
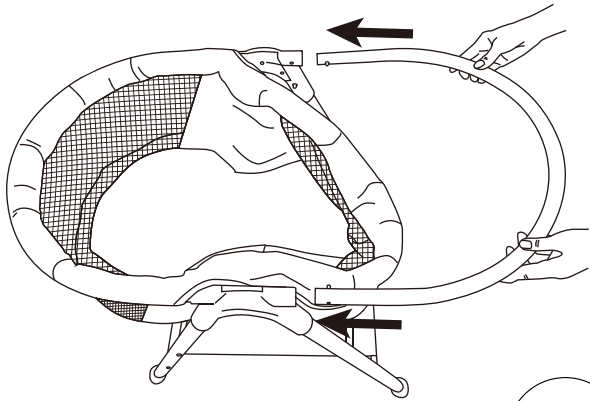


6. Fit the crib body to the assembled frame. Push in support tube push pin and insert tube into frame joint (E) until push pin pops out of corresponding joint hole. The tube is secure when you hear the "click" sound.



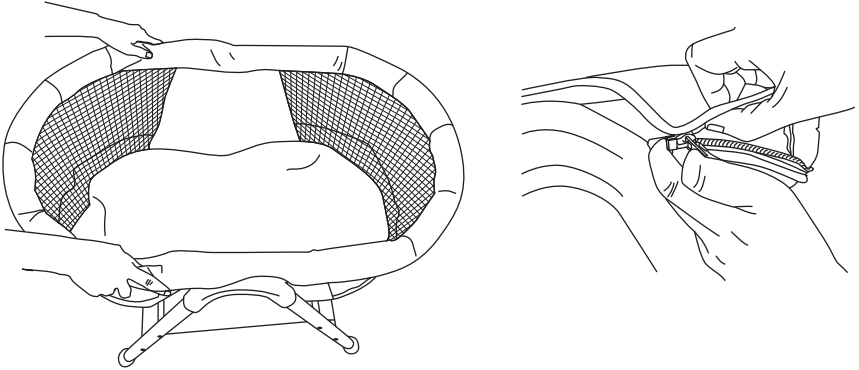
Assembly

7. Insert the remaining crib support tube (D) into the other side of the assembled frame. Push in support tube push pin and insert tube into frame joint (E) until push pin pops out of corresponding joint hole. The tube is secure when you hear the "click" sound.

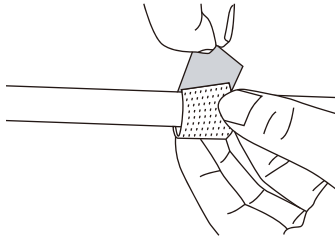


Assembly

8. Fold the zipper side of the crib body (A) over the crib support tube (D). Secure by zipping the zipper completely closed around the support tube.



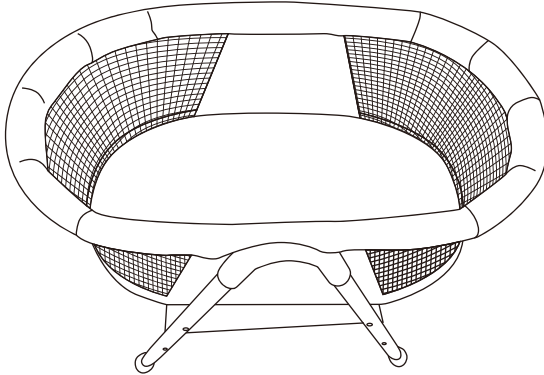
9. Fully secure the crib body to the frame by fastening the velcro loops on the bottom of the crib body (A) to the top frame support tubes (G).



Assembly

10. Place the mattress (C) into the assembled crib.

! WARNING: DO NOT ADD A SECOND MATTRESS, SUFFOCATION HAZARDS.



Warnings:

- WARNING! Do not use this product without reading the instructions first.
- WARNING! Stop using the product as soon as the child can sit or kneel or pull itself up.
- WARNING! Do not place additional items (e.g. toys, pillows...) in the product.
- WARNING! Do not place the product close to another product, which could present a danger of suffocation or strangulation, e.g. strings, blind/curtain cords, etc.
- WARNING! Only use the mattress sold with this crib.
- WARNING! Do not use more than one mattress in the product – suffocation hazards.
- The crib should only be positioned on a level floor surface.
- Young children should not be allowed to play unsupervised in the vicinity of the crib.
- Be aware of the risk of burning cigarettes, open fires and other sources of strong heat, such as electric bar fires, gas fires, etc. in the near vicinity of the crib.

Cleaning:

- Fabrics may be spot cleaned by using a sponge with a mild soap and warm water solution. Leave to dry in a ventilated area away from direct sunlight. Do not dry clean, machine wash, bleach or tumble dry.
- Metal parts may be cleaned with a damp cloth. Always wipe dry.
- Clean plastic parts with a mild soap and warm water solution.
- Avoid leaving the product in direct sunlight for prolonged periods of time as this may cause fabrics to fade.

Maintenance:

- All assembly fittings should always be tightened properly and that care should be taken that no screws are loose, because a child could trap parts of the body or clothing (e.g. strings, necklaces, ribbons for babies' dummies, etc.), which would pose a risk of strangulation.
- DONOT use crib if any parts are missing, damaged, or broken. Contact Red Kite for replacement parts and instructional literature if needed. DONOT substitute parts.

Mattress Information:

- The mattress cover may be machine washed on a cool and gentle cycle. Leave to dry in a ventilated area away from direct sunlight.
- Do not dry clean, bleach or tumble dry.