

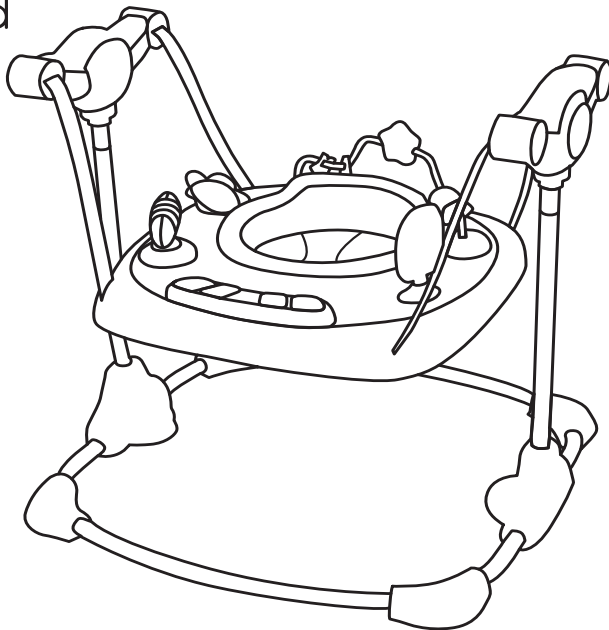
# red kite

IMPORTANT!  
KEEP FOR FUTURE REFERENCE.

Read the instructions carefully before use and keep them for future reference.  
The child may be hurt if you do not follow the instructions.  
Adult assembly required.

## Instruction Leaflet

### Jumparound



Suitable for a child that can support its head unaided (approximately 6 months), and up to a maximum weight of 12 kg

Tested to the relevant parts of BS EN 14036:2003.  
Customer Care Line: 01454 326 568.

## Assembly Instructions

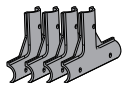
Parts are supplied packed inside of the 2 x Feet.

These must be pre assembled before attaching to the main frame.



Feet x 2  
(Including Base Plate)

1



Supports x 4



Tubes x 2



40mm bolts x 6



Nuts x 6



16mm screws x 6



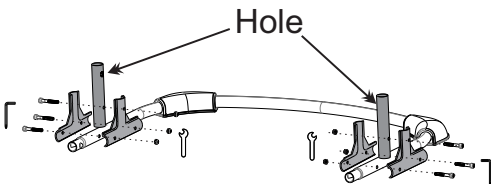
Allen key x 1



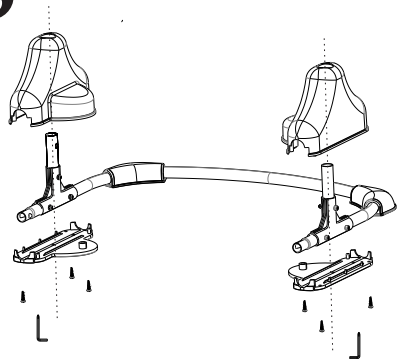
Spanner x 1

**ATTENTION!**  
**ASSEMBLY**  
**PARTS**  
**INSIDE**

2



3



### Pre Assembly instructions

1. Remove the adhesive tape and red sticker from the bottom of foot to access the parts.

Discard tape and sticker.

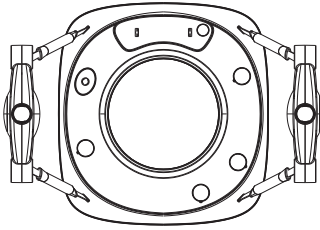
2. Using the bolts and nuts, loosely attach the supports to the large base foot frame.

Slide the tube into the supports ensuring the hole closest to the edge is facing upwards and secure with the fixings. Tighten all bolts and nuts.

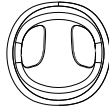
3. Slide the foot over the tube and secure the base plate with the 3 screws.

4. Repeat for both feet.

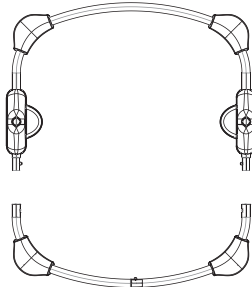
1



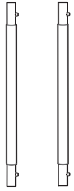
A x1



C x1



B x1



D x2



E x1



F x1



G x1



H x1

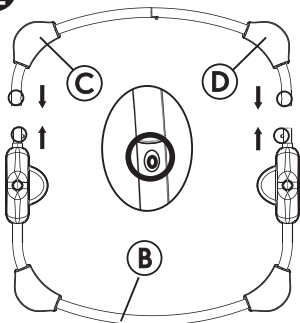


I x1

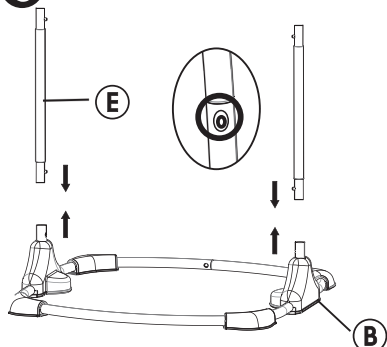


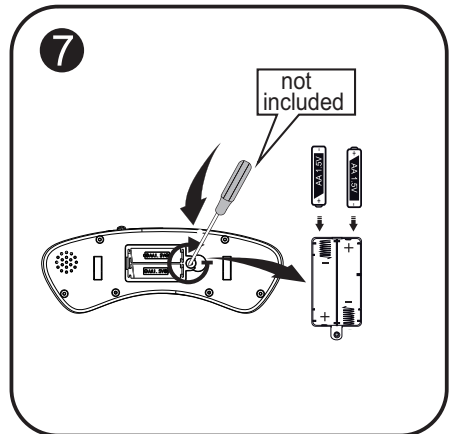
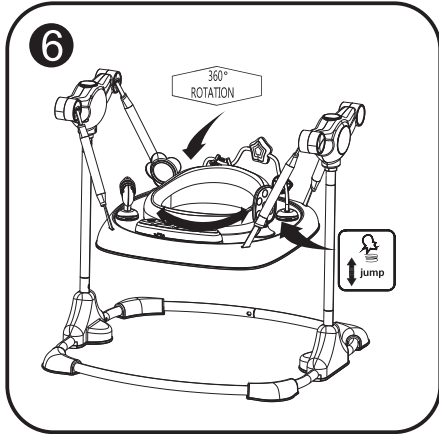
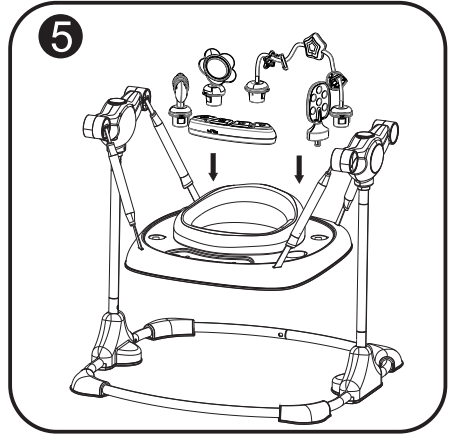
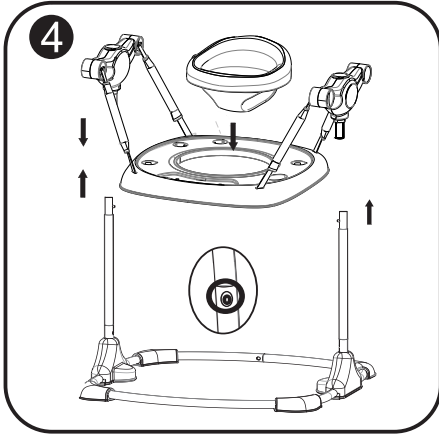
WARNING : Please remove the protective film on the mirror before assembly.

2



3





**8**

Please ensure the belt is pressed into the slot after adjusting the height.

Correct height adjustment for foot positioning.

# Assembly Instructions

## 1. PARTS LIST

- A. Top frame
- B. Base frame consisting of 2 small and 1 large section
- C. Seat
- D. Side frames x2
- E. E-I musical tray and toys

## Assembly instructions

2. Slot together all three foot frames ensuring the push pins have come through the holes. Fig 2.
3. Slot the side frames in to the feet frames. Fig 3.
4. Slot the top frame section into the top of the side frames ensuring the straps on the top section are not twisted and then insert the seat in to the recess until it clips in place. Fig 4.
5. Push the toys into the corresponding recesses. Slot the musical tray into the recess and lock in place by pushing the keys (located under the top frame section) upwards. Turn each key a quarter turn to secure the tray in place. Fig 5.
6. The seat unit can rotate 360 degrees. Fig 6.

## 7. To insert / replace the batteries

Undo the screw on the battery compartment cover and open the compartment. Fit batteries into space provided ensuring they observe the correct polarity (as shown on the product). Close the compartment, replace the screw and tighten. Secure the toy tray onto the walker. Fig 7.

## Height adjustment

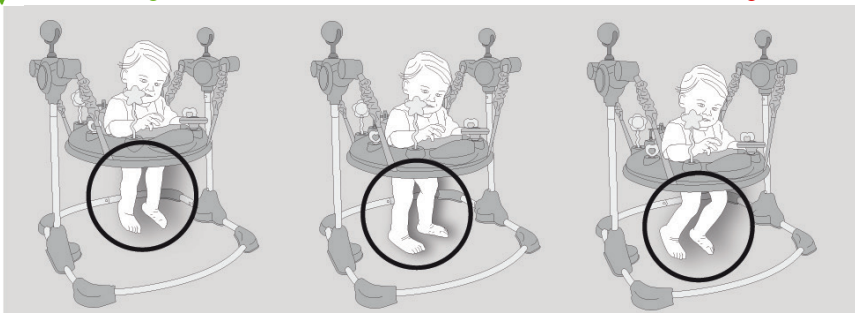
8. To change the height of the jumper, push the clip towards the centre of the seat section until it unlocks and lift out. Reposition the clip to desired height and pull away from the centre of the seating section until it clicks in place. Ensure all four straps are at the same height position.

Place your child in the seat. Check the distance between your baby's feet and the floor. Your child's toes should touch the floor (without bouncing). If your child's entire foot is touching the floor or the toes are not touching the floor at all, adjust the height to any of three positions (one for the smallest child and three for the tallest child). Fig 8.

✓ Toes touching the floor

✗ Feet flat the floor

✗ Feet not touching the floor



EXAMPLE - Models may vary

## General Care:

- The correct use and maintenance of this jumper is essential.
- Ensure that both of the child's feet reach the floor.
- Do not use excessive force when adjusting the jumper.
- Always store the jumper in a dry place.
- Individual toys on the toy tray are not replaceable.
- Do not alter the toy tray by adding toys or cutting existing ones away, this could be dangerous.
- When the product is connected to a music player, ensure that the volume of the music player is set to a low value.

## Cleaning:

- The seat unit may be spot cleaned by using a sponge with a mild soap and warm water solution. Leave to dry in a ventilated area away from direct sunlight. Do not dry clean, machine wash, bleach or tumble dry.
- Metal parts may be cleaned with a damp cloth. Always wipe dry.
- Clean plastic parts (excluding tray) with a mild soap and warm water solution.
- The tray may be wiped clean with a damp cloth and dried with a dry cloth. Avoid leaving the jumper in direct sunlight for prolonged periods of time as this may cause fabrics to fade.

## Maintenance:

- Check that nothing is loose or broken and that no sharp edges have been exposed. Replace any damaged parts immediately.
- Routinely inspect all studs, nuts and screws for tightness. Check the seat attachment points, ensure they are secured.
- Do not use replacement parts other than those approved by the manufacturer or distributor. Failure to do this may invalidate your warranty.

## Safety Warnings:

- **WARNING! NEVER LEAVE THE CHILD UNATTENDED!**
- **WARNING! DO NOT USE THE BABY BOUNCER AS A SWING!**
- This product must be assembled by an adult.
- Ensure baby is correctly and safely positioned in the seat.
- Suitable for a child that can support its head unaided, and up to a maximum weight of 12 kg.
- Not suitable for children who can walk unaided or who weigh more than 12 kg.
- Baby should only use the jumper for a maximum of 20 minutes at a time.
- Keep children away from this product during set-up and when not in use.
- Do not allow a baby to fall asleep in the jumper.
- Do not attempt to move or lift this jumper when a baby is in it.
- Guard all fires, heating and cooking appliances.
- Remove hot liquids, electrical flexes and other hazards from reach.
- Strings cords can pose a risk of strangulation. Do not suspend over product or attach strings to toys.
- Do not allow other children to play around the jumper.
- Avoid giving baby drinks when in the jumper as leakages and spillages may cause damage to the electronic tray.

**DO NOT UNDER ANY CIRCUMSTANCES  
APPLY EXCESSIVE PRESSURE TO THE TOP TRAY.**

**OLDER SIBLINGS SHOULD NOT BE ALLOWED TO  
PLAY WITH THE JUMPER WHILST THE CHILD IS IN IT  
AS THIS CAN BE DANGEROUS.**

red kite

# red kite

## IMPORTANT! KEEP FOR FUTURE REFERENCE.

Read these instructions carefully before use. Your child may be hurt if you do not follow the instructions. Adult assembly required.

## Instruction Leaflet

### Jumparound Activity Tray

This product requires 2 x 1.5v "AA" batteries. (Not supplied).

To insert / replace the batteries:

Undo the screw on the battery compartment cover and open the compartment. Fit batteries into space provided ensuring they observe the correct polarity (as shown on the product).

Close the compartment, replace the screw and tighten. Secure the toy tray onto the walker.

Adult assembly required.

**WARNING** This product is designed solely for use in conjunction with the Jumparound. Suitable for babies from 6 months.

**WARNING:** This toy produces flashes that may trigger epilepsy in sensitised individuals.

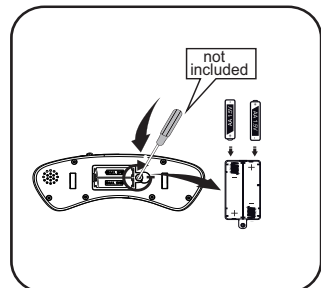
Manufactured By: The Red Kite Baby Co Ltd. 35 Lavenham Road, Beeches Industrial Estate, Yate, Bristol, BS37 5QX. UK.

Authorised Representative: Clever Rep AB, Box 1898, 116 74, Stockholm, Sweden.

Customer Care Line:

01454 326 568

Made In China



## Extra Care:

As a parent or carer of children, we know that safety is of uppermost concern. Whilst this product has been developed to all of the relevant safety standards, we need your help to maintain that level of safety and minimize the risk that a baby using this product will be harmed. Your baby should never be left alone in the jumper and all tempting objects should be kept out of your child's reach.

## Battery Information:

- Batteries must only be installed by an adult.
- Always keep batteries and tools out of reach of babies and children.
- Always remove spent batteries from the toy to avoid the danger of leakage from the battery which can be dangerous and damage the product.
- Remove the batteries if the toy will not be used for a long period of time.
- Only use alkaline batteries of the same type or equivalent to the type recommended for the correct function of this product.
- Never mix new and old or different types of batteries.
- When fitting new batteries, always ensure that they have been fitted in the correct polarity (as shown on the product).
- Do not burn or dispose of spent batteries into the environment. Dispose of them at an appropriate differentiated collection point.
- Do not short circuit the battery terminals.
- Never attempt to recharge non-rechargeable batteries, they might explode.
- Exhausted batteries are to be removed from the toy.
- Rechargeable batteries are to be removed from the toy before being charged.
- Rechargeable batteries are only to be charged under adult supervision.
- Waste products should not be disposed of with household waste. Please recycle where facilities exist. Check with your local authority or retailer for recycling advice.

