

RedKite

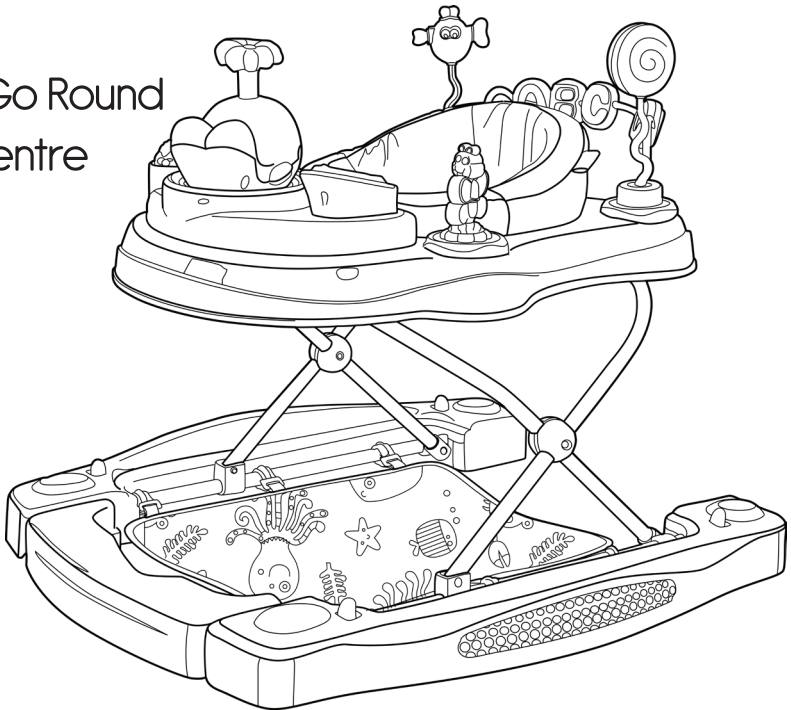
IMPORTANT!
KEEP FOR FUTURE REFERENCE.

Read the instructions carefully before use and keep them for future reference.
The child may be hurt if you do not follow the instructions.

Adult assembly required.

Instruction Leaflet

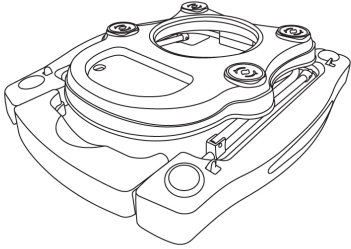
Baby Go Round Play Centre



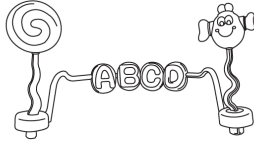
This baby walking frame is intended to be used by children who can sit unaided, approximately from 6 months. It is not intended for children weighing more than 12kg.

Complies with: BSEN 1273 : 2005. Customer Care Line: 01454 326 568.

Parts List



Frame x 1



Toy bar x 1



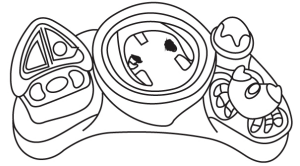
Whale toy x 1



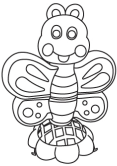
Rear walking handle x 1



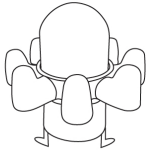
Seat unit x 1



Musical tray x 1



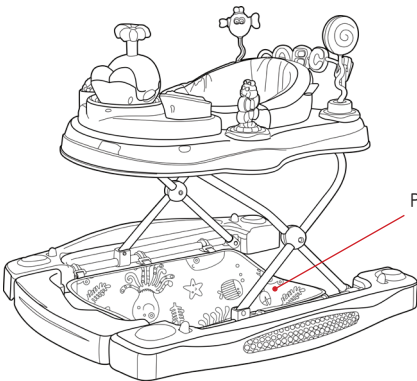
Butterfly toy x 1



Octopus toy x 1



Nuts x 2



Padded foot mat x 1

Tools required

Phillips screwdriver (cross head)

For activity tray batteries only



Fig 1a

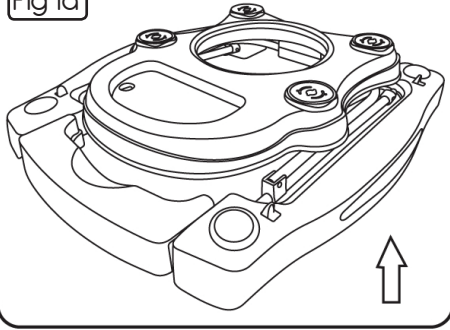


Fig 1b

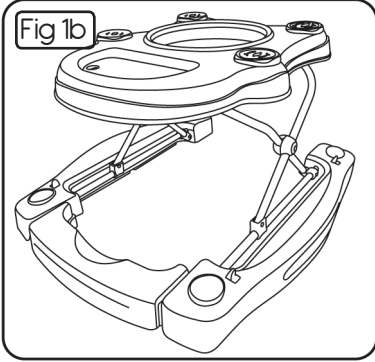


Fig 2

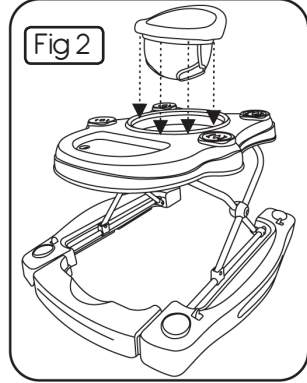


Fig 3

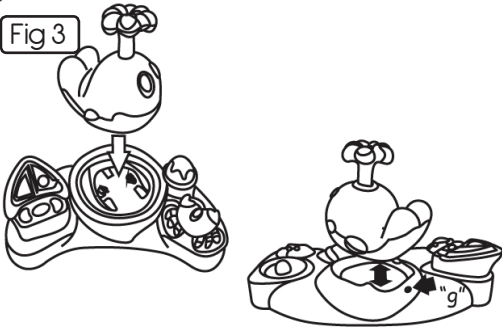
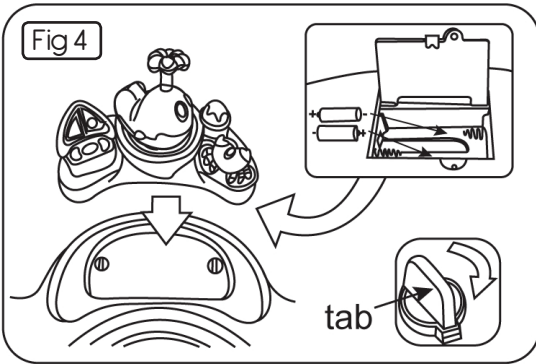
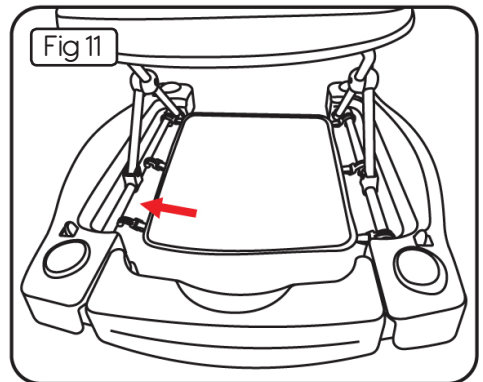
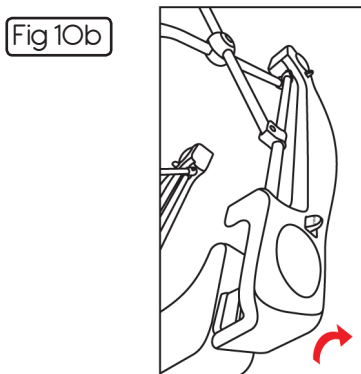
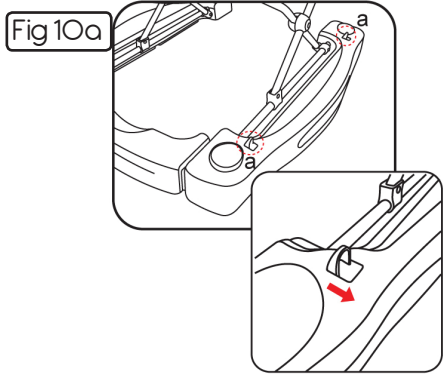
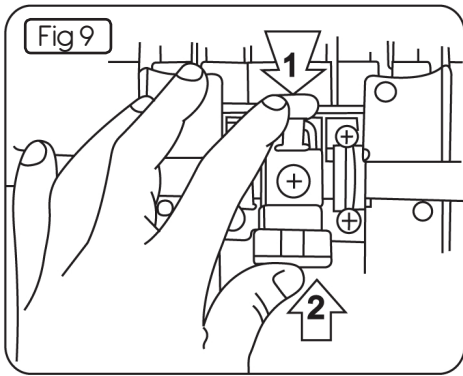
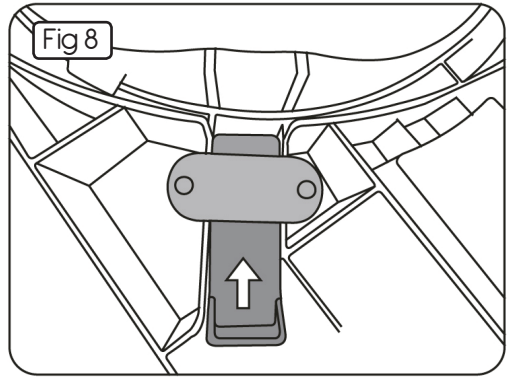
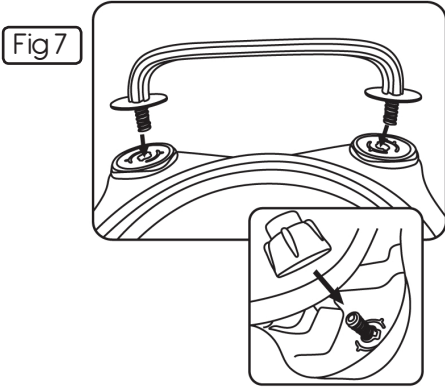
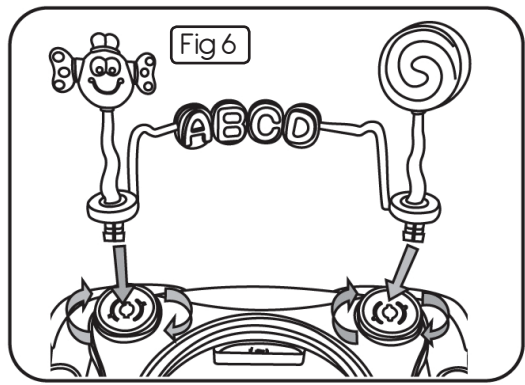
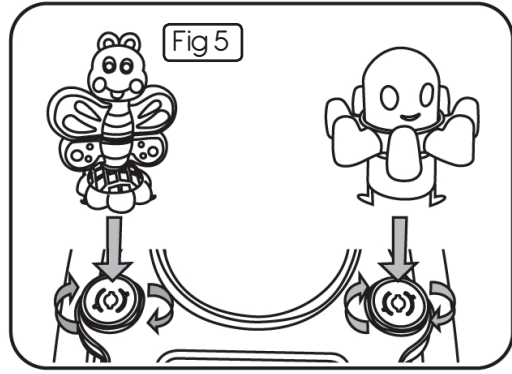


Fig 4





Assembly instructions

To open the walker

1. Open the play centre by raising the tray to the highest position. Gently push down on the top section to ensure it has locked in place.

Fig 1a + 1b

To attach the seat unit

2. Position the seat rim in to the frame and push firmly down until it locks in place. Fig 2.

To attach the Whale toy

3. Push the Whale in to the centre of the toy tray to lock it in place. Press button G to release the toy. Fig 3.

To attach the musical tray

4. Slot the tray in to the recess on top of the play centre and secure in place by turning the keys underneath 90 degrees. Fig 4.

To attach the Butterfly and Octopus toys

5. Push the toys in to the slots and rotate the base of the toys 90 degrees to lock them in place. Fig 5.

To attach the toy bar

6. Push the toy bar in to the slots and rotate the base of the bar 90 degrees to lock them in place. Fig 6.

To use the rear walking handle

7. Remove the toy bar. Slot the handle in to the holes and secure with the nuts underneath. Fig 7.

To lock the seat unit

8. Ensure the seat unit is facing forward and push the locking tab in to the groove on the underside of the seat rim to lock the seat. Pull the tab out to allow the seat to rotate. Fig 8.

Height adjustment

9. Push the red safety catch upwards (1), then the white release catch inwards (2). The top section can now be lowered in to one of three height settings or fully folded for storage. Fig 9.

To select rocking mode

10. Slide the locks (a) towards the edges (fig 10a), rotate 90 degrees and then release the locks. Fig 10b.

Attaching the padded foot mat

11. When in rocking mode, you can clip the foot mat on to the bottom frame of the walker. Fig 11.

General Care:

- The correct use and maintenance of this play centre is essential.
- Ensure that both of the child's feet reach the floor.
- Do not use excessive force when adjusting the play centre.
- Always store the play centre in a dry place.
- Individual toys on the toy tray are not replaceable.
- Do not alter the toy tray by adding toys or cutting existing ones away, this could be dangerous.

Cleaning:

- The seat unit may be spot cleaned by using a sponge with a mild soap and warm water solution. Leave to dry in a ventilated area away from direct sunlight. Do not dry clean, machine wash, bleach or tumble dry.
- Metal parts may be cleaned with a damp cloth. Always wipe dry.
- Clean plastic parts with a mild soap and warm water solution.
- Avoid leaving the play centre in direct sunlight for prolonged periods of time as this may cause fabrics to fade.

Maintenance:

- Check that nothing is loose or broken and that no sharp edges have been exposed. Replace any damaged parts immediately.
- Routinely inspect all studs, nuts and screws for tightness. Check the seat attachment points, ensure they are secured.
- Never use this product without the friction blocks.
- Do not use replacement parts other than those approved by the manufacturer or distributor. Failure to do this may invalidate your warranty.

Safety Warnings:

- WARNING – Never leave the child unattended.
- WARNING – The child will be able to reach further and move rapidly when in the baby walking frame.
- WARNING – Your child's safety is your responsibility.
- Prevent access to stairs, steps and uneven surfaces.
- Guard all fires, heating and cooking appliances.
- Remove hot liquids, electrical flexes and other hazards from reach.
- Prevent collisions with glass in doors, windows and furniture.
- Do not use the play centre if any components are broken or missing.
- This play centre should be used only for short periods of time (e.g. 20 min).
- Never lift the play centre with the child inside.

**DO NOT UNDER ANY CIRCUMSTANCES
APPLY EXCESSIVE PRESSURE TO THE TOP TRAY.**

**OLDER SIBLINGS SHOULD NOT BE ALLOWED
TO PLAY WITH THE PLAY CENTRE WHILST THE
CHILD IS IN IT AS THIS CAN BE DANGEROUS.**

RedKite

RedKite

IMPORTANT! KEEP FOR FUTURE REFERENCE.

Read these instructions carefully before use. Your child may be hurt if you do not follow the instructions. Adult assembly required.

Instruction Leaflet

Baby Go Round Play Centre Activity Tray

This product requires 2 x 1.5v "AA" batteries. (Not supplied).

To insert / replace the batteries:

Undo the screw on the battery compartment cover and open the compartment. Fit batteries into space provided ensuring they observe the correct polarity (as shown on the product). Close the compartment, replace the screw and tighten. Secure the toy tray onto the walker.

Adult assembly required.

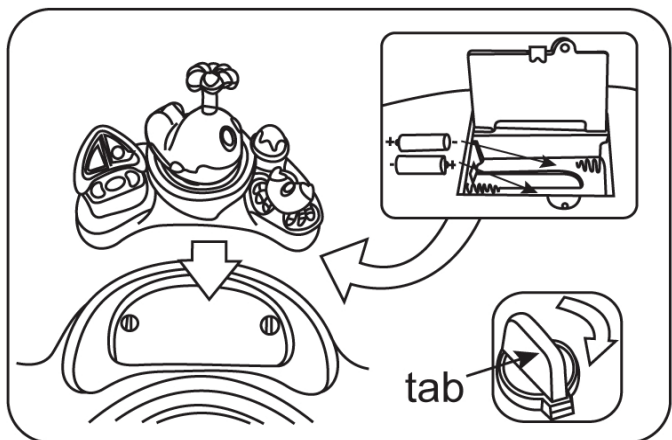
WARNING This product is designed solely for use in conjunction with the Baby Go Round Play Centre.

Suitable for babies from 6 months.

Imported By: The Red Kite Baby Co Ltd. 35 Lavenham Road, Beeches Industrial Estate, Yate, Bristol, BS37 5QX. UK.

Customer Care Line:
01454 326 568

Made In China



CAUTION Battery Safety

- Always keep batteries and tools out of reach of babies and children.
- Always remove spent batteries from the toy to avoid the danger of leakage from the battery which can be dangerous and damage the product.
- Remove the batteries if the toy will not be used for a long period of time.
- Only use alkaline batteries of the same type or equivalent to the type recommended for the correct function of this product.
- Never mix new and old or different types of batteries.
- When fitting new batteries, always ensure that they have been fitted in the correct polarity (as shown on the product).
- Do not burn or dispose of spent batteries into the environment. Dispose of them at an appropriate differentiated collection point.
- Do not short circuit the battery terminals.
- Never attempt to recharge non-rechargeable batteries, they might explode.
- Exhausted batteries are to be removed from the toy.
- Rechargeable batteries are to be removed from the toy before being charged.
- Rechargeable batteries are only to be charged under adult supervision.